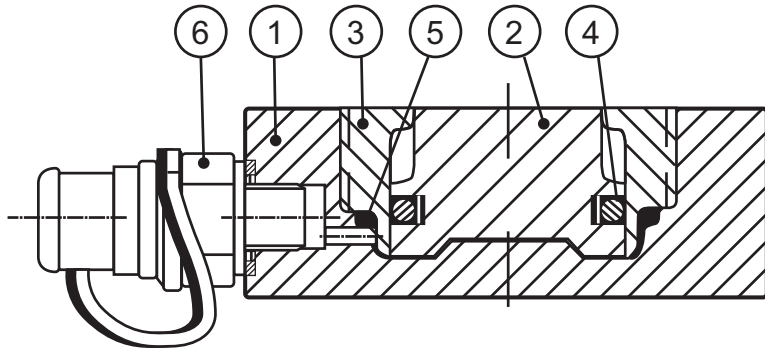


HYDRAULIC - CYLINDER

Type: CML13-10S CML25-10S • CML40-10S
CML60-10S • CML100-16S • CML160-16S



Pos.	Description	Part-No.	Qty	Pos.	Description	Part-No.	Qty
1	Cylinder CML 13-10S	40250006	1	5	O - Ring CML 13-10S	10110277	1
	Cylinder CML 25-10S	40250016	1		O - Ring CML 25-10S	10110279	1
	Cylinder CML 40-10S	40250026	1		O - Ring CML 40-10S	10110287	1
	Cylinder CML 60-10S	40250036	1		O - Ring CML 60-10S	10110291	1
	Cylinder CML 100-16S	40250046	1		O - Ring CML 100-16S	10110295	1
	Cylinder CML 160-16S	40250056	1		O - Ring CML 160-16S	10110299	1
2	Piston CML 13-10S	40250007	1	6	Coupling nipple TX23S (optional)	38815500	1
	Piston CML 25-10S	40250017	1				
	Piston CML 40-10S	40250027	1		* Seal kit CML 13-10S	40250004	
	Piston CML 60-10S	40250037	1		* Seal kit CML 25-10S	40250014	
	Piston CML 100-16S	40250047	1		* Seal kit CML 40-10S	40250024	
	Piston CML 160-16S	40250057	1		* Seal kit CML 60-10S	40250034	
3	Bushing CML 13-10S	40250008	1		* Seal kit CML 100-16S	40250044	
	Bushing CML 25-10S	40250018	1		* Seal kit CML 160-16S	40250054	
	Bushing CML 40-10S	40250028	1		(respectively + Packing for TX23S)		
	Bushing CML 60-10S	40250038	1				
	Bushing CML 100-16S	40250048	1				
	Bushing CML 160-16S	40250058	1		* Incl. in Seal kit		
4	Shell ring CML 13-10S	10110505	1				
	Shell ring CML 25-10S	10110508	1				
	Shell ring CML 40-10S	10110512	1				
	Shell ring CML 60-10S	10110518	1				
	Shell ring CML 100-16S	10110528	1				
	Shell ring CML 160-16S	10110532	1				

BAHCO GmbH & Co. KG

Martener Hellweg 60
44379 Dortmund
Phone: (0231) 91 72 11-0
Fax: (0231) 91 72 11-20
Internet: www.bahco.de
E-Mail: info@bahco.de

Hydraulic-Cylinder

Type

CML13-10 CML25-10 • CML40-10
• CML60-10 • CML100-16
CML160-16

BAHCO
DORTMUND