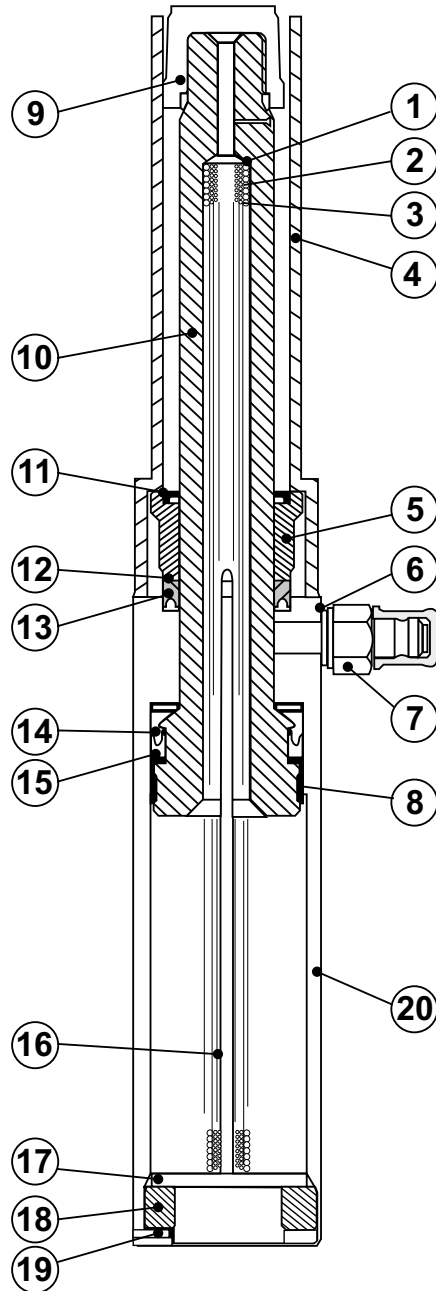


# HYDRAULIC-CYLINDER TYPE: CPF705 | CPF709



Pos.	Qty	Description	Part-No.
1	1	Spring CPF 709	27292
2	1	Spring	15011
3	1	Spring	15012
4	1	Protection ring CPF 705	14639
	1	Protection ring CPF 709	21459
5	1	Bushing CPF 705	14391
	1	Bushing CPF 709	27276
6	1	Packing	*
7	1	Quick coupling TX23S (optional)	38815500
8	1	Guide	*
9	1	Pulling tap CPF 705	27313
	1	Pulling tap CPF 709	28300
10	1	Piston CPF 705	27298
	1	Piston CPF 709	27274
11	1	Packing	*
12	1	Support ring CPF 705	*
13	1	Packing	*
14	1	Packing	*
15	1	Support ring CPF 705	*
16	1	Pin	14392
17	1	Washer CPF 705	14393
	1	Washer CPF 709	21093
18	1	Bushing CPF 705	27249
	1	Bushing CPF 709	27277

Pos.	Qty	Description	Part-No.
19	1	Pin CPF 705	27293
	1	Pin CPF 709	11703
20	1	Cylinder tube CPF 705	27294
	1	Cylinder tube CPF 709	27270
		* Seal kit CPF 705	27268
		* Seal kit CPF 709	27269
		* included in Seal kit	

Documentation commissioner:  
Andreas Bos  
Version: 01.09.2022

**BAHCO GmbH & Co. KG**  
Martener Hellweg 60  
44379 Dortmund  
Phone: +49(0)231 91 72 11-0  
Fax: +49(0)231 91 72 11-20  
Internet: www.bahco.de  
E-Mail: info@bahco.de

## Hydraulic-Cylinder Spare Part List

Type  
**CPF705 | CPF709**

**BAHCO**  
DORTMUND