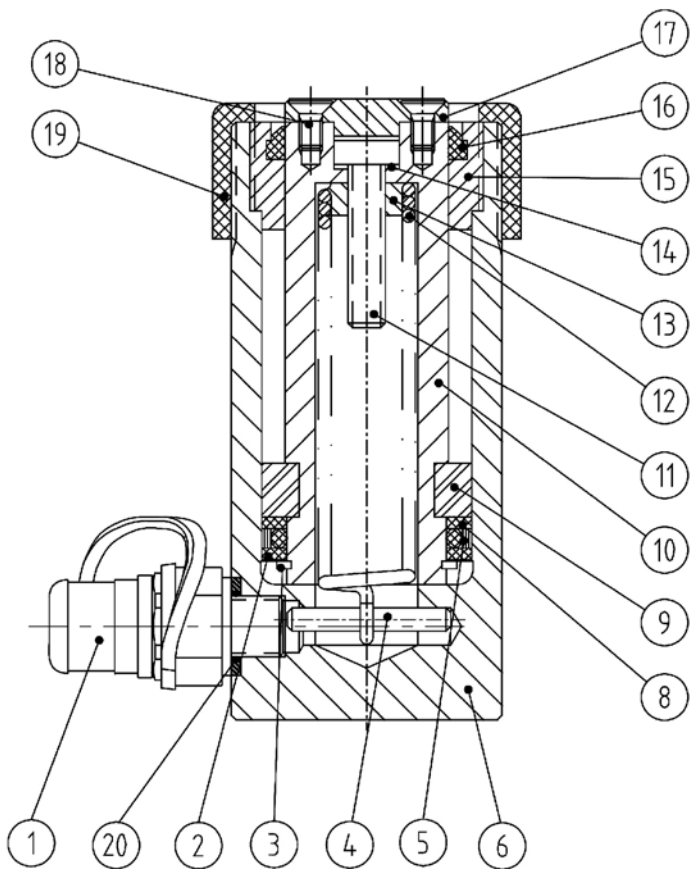


HYDRAULIC-CYLINDER Type: CRB13-50 | CRB13-100 | CRB13-150



Pos.	Qty	Description	Part-No.
1	1	Quick coupling TX23S (optional)	38815500
2	1	Support ring	40301009 *
3	1	Track ring	*
4	1	Pin	*/**
5	1	Packing	10110505 *
6	1	Cylinder CRB 13-50	40301001
	1	Cylinder CRB 13-100	40301011
	1	Cylinder CRB 13-150	40301021
8	1	Support ring	40301008 *
9	1	Piston ring	40301007
10	1	Piston CRB13-50	40301002
	1	Piston CRB 13-100	40301012
	1	Piston CRB 13-150	40301022
11	1	Screw	**
12	1	Spring CRB 13-50	**
	1	Spring CRB 13-100	**
	1	Spring CRB 13-150	**
13	1	Spring attachment	**
14	1	Packing	14185 */**

Pos.	Qty	Description	Part-No.
15	1	Bushing	40301004
16	1	Wiper	01044330 *
17	1	Pressure head	40301005
18	2	Screw	10100111
19	1	Protection ring	39996
20	1	Packing	17009 *
		* Seal kit	45127
		** Spring kit cpl. CRB 13-50	45128
		** Spring kit cpl. CRB 13-100	45129
		** Spring kit cpl. CRB 13-150	45130
		* Only available in Seal Kit	
		** Only available in Spring Kit cpl.	

Documentation commissioner:
Andreas Bos
Version: 02.2023

BAHCO GmbH & Co. KG
Martener Hellweg 60
44379 Dortmund
Phone: +49(0)231 91 72 11-0
Fax: +49(0)231 91 72 11-20
Internet: www.bahco.de
E-Mail: info@bahco.de

Hydraulic-Cylinder Spare Part List

Type
CRB13-50 | CRB13-100
CRB13-150

BAHCO
DORTMUND