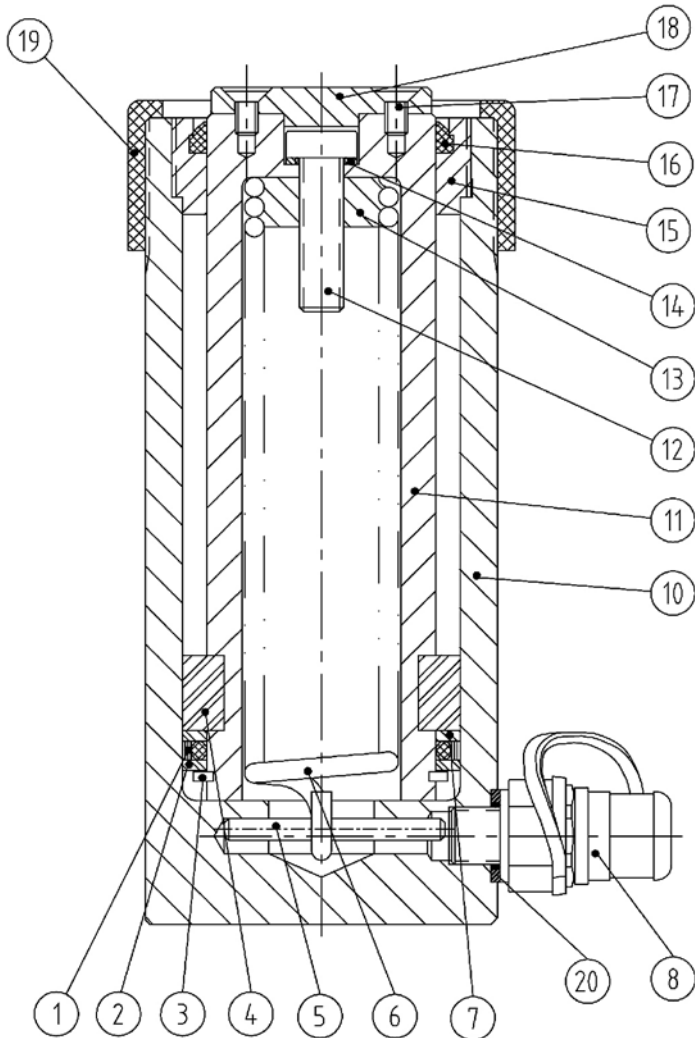


HYDRAULIC-CYLINDER Type: CRB25-25 | CRB25-50 | CRB25-100 | CRB25-150 | CRB25-200



Pos.	Qty	Description	Part-No.
1	1	Packing	10110508 *
2	1	Support ring	40301109 *
3	1	Track ring	*
4	1	Piston ring	40301107
5	1	Pin	*/**
6	1	Spring CRB 25-25	**
	1	Spring CRB 25-50	**
	1	Spring CRB 25-100	**
	1	Spring CRB 25-150	**
	1	Spring CRB 25-200	**
7	1	Support ring	40301108 *
8	1	Quick coupling TX23S (optional)	38815500
10	1	Cylinder CRB 25-25	40301101
	1	Cylinder CRB 25-50	40301111
	1	Cylinder CRB 25-100	40301121
	1	Cylinder CRB 25-150	40301131
	1	Cylinder CRB 25-200	40301141
11	1	Piston CRB 25-25	40301102
	1	Piston CRB 25-50	40301112
	1	Piston CRB 25-100	40301122
	1	Piston CRB 25-150	40301132
	1	Piston CRB 25-200	40301142
12	1	Screw CRB 25-25/-50/-100	**
	1	Screw CRB 25-150/-200	**
13	1	Spring attachment	**

Pos.	Qty	Description	Part-No.
14	1	Packing	14185 */**
15	1	Bushing	40301104
16	1	Wiper	01044390 *
17	2	Screw	10100111
18	1	Pressure head	40301105
19	1	Protection ring	17263
20	1	Packing	17009 *
*		* Seal kit	45150
**		** Spring cpl. CRB 25-25	45151
**		** Spring kit cpl. CRB 25-50	45152
**		** Spring kit cpl. CRB 25-100	45153
**		** Spring kit cpl. CRB 25-150	45154
**		** Spring kit cpl. CRB 25-200	45155
		* Only available in Seal Kit	
		** Only available in Spring Kit cpl.	

Documentation commissioner:
Andreas Bos
Version: 02.2023

BAHCO GmbH & Co. KG
Martener Hellweg 60
44379 Dortmund
Phone: +49(0)231 91 72 11-0
Fax: +49(0)231 91 72 11-20
Internet: www.bahco.de
E-Mail: info@bahco.de

Hydraulic-Cylinder Spare Part List

Type
CRB25-25 | CRB25-50
CRB25-100 | CRB25-150
CRB25-200

BAHCO
DORTMUND