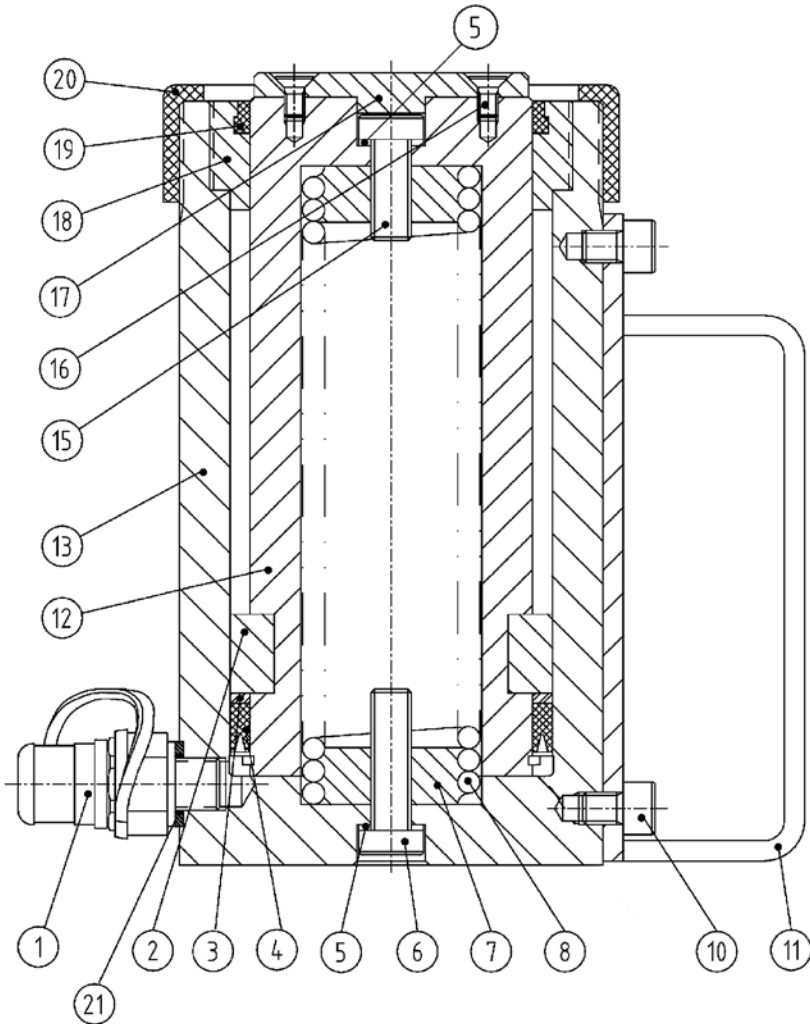


HYDRAULIC-CYLINDER Type: CRB40-50 | CRB40-100 | CRB40-200



Pos.	Qty	Description	Part-No.
1	1	Coupling nipple TX23S (optional)	38815500
2	1	Piston ring	40301205
3	1	Support ring	40231206 *
4	1	Packing	44857 *
5	2	Packing	14185 */**
6	1	Screw CRB 40-50/-100	**
	1	Screw CRB 40-200	**
7	2	Spring attachment	**
8	1	Spring CRB 40-50	**
	1	Spring CRB 40-100	**
	1	Spring CRB 40-200	**
10	1	Screw CRB 40-50	51119
	1	Screw CRB 40-100/-200	51120
11	1	Handle CRB 40-50	40301207
	1	Handle CRB 40-100	40301213
	1	Handle CRB 40-200	40301223
12	1	Piston CRB 40-50	40301202
	1	Piston CRB 40-100	40301212
	1	Piston CRB 40-200	40301222
13	1	Cylinder CRB 40-50	40301201
	1	Cylinder CRB 40-100	40301211
	1	Cylinder CRB 40-200	40301221
15	1	Screw	**
16	2	Screw	10100111
17	1	Pressure head	40301204
18	1	Bushing	40301203

Pos.	Qty	Description	Part-No.
19	1	Wiper	01044410 *
20	1	Protection ring	17264
21	1	Packing	17009 *
		* Seal kit	45131
		** Spring kit cpl. CRB 40-50	45132
		** Spring kit cpl. CRB 40-100	45133
		** Spring kit cpl. CRB 40-200	45134
		* only available in Seal kit	
		** incl. in Spring kit	

Documentation commissioner:
Andreas Bos
Version: 02.2023

BAHCO GmbH & Co. KG
Martener Hellweg 60
44379 Dortmund
Phone: +49(0)231 91 72 11-0
Fax: +49(0)231 91 72 11-20
Internet: www.bahco.de
E-Mail: info@bahco.de

Hydraulic-Cylinder Spare Part List

Type
CRB40-50 | CRB40-100 |
CRB40-200

BAHCO
DORTMUND