

700 BAR

BAHCO
DORTMUND



HYDRAULIC CYLINDER SERIES LVMC/LVML

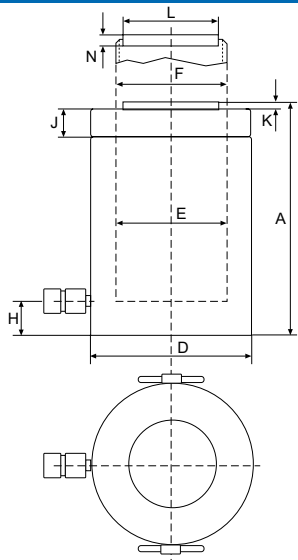
*SINGLE ACTING
WITH LOCK NUT*

BAHCO

Single-acting cylinders of series LVMC / LVML in the standard and extra-flat version are suitable for use in construction (bridge, building, shipbuilding). Using the lock nut, loads from the cylinders are held securely over the long term in a mechanical manner.

To protect the cylinders from side loading, the use of tilting saddles is recommended. The extra-flat LVML cylinders are equipped with tilting saddles as standard for optimal guidance when side loads are applied.

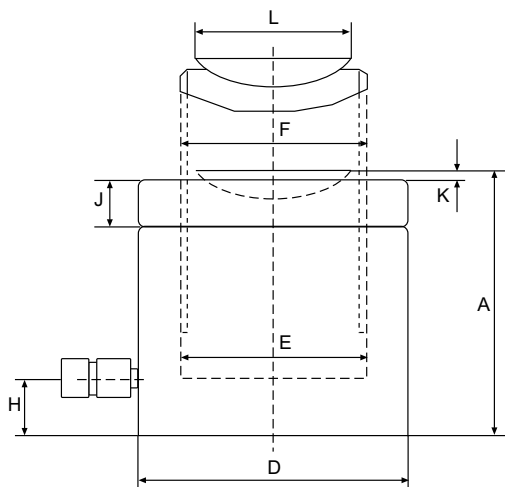
Type LVMC



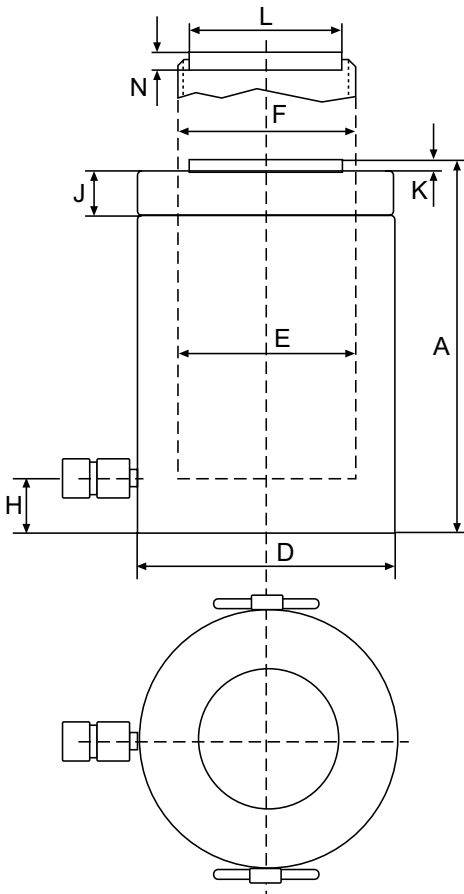
Dimensions

Piston area cm ²	D mm	E mm	F	H mm	J mm	K mm	L mm	N mm
44.2	100	75	Tr 75x4	20	20	3	50	20
70.9	125	95	Tr 95x4	25	21	3	50	20
132.7	170	130	Tr 130x6	30	31	3	71.5	20
201.1	210	160	Tr 160x6	40	38	3	94	20
314.2	260	200	Tr 200x6	50	40	3	113	25
493.7	305	235	Tr 235x6	55	45	5	140	30
572.6	350	270	Tr 270x6	65	50	5	159	30
730.6	400	305	Tr 305x6	75	60	5	179	30
855.3	430	330	Tr 330x6	80	80	5	194	30
1164.2	505	385	Tr 385x6	95	90	5	225	30
1520.5	570	440	Tr 440x6	105	105	5	250	30

Type LVML



Type LVMC		Dimensions				
Model	Capacity Tn (kN)	Stroke length mm	Oil vol. cm ³	A mm	Weight kgs	
LVMC03005	30 (303)	50	221	141	9	
LVMC03010		100	442	191	12	
LVMC03015		150	663	246	15	
LVMC03020		200	884	296	18	
LVMC03025		250	1104	355	22	
LVMC03030	300	1325	405	25		
LVMC05005	51 (496)	50	354	153	14	
LVMC05010		100	709	203	19	
LVMC05015		150	1063	261	25	
LVMC05020		200	1418	311	30	
LVMC05025		250	1772	366	35	
LVMC05030	300	2126	416	40		
LVMC10005	95 (929)	50	664	180	31	
LVMC10010		100	1327	230	40	
LVMC10015		150	1991	285	50	
LVMC10020		200	2655	335	59	
LVMC10025		250	3318	391	69	
LVMC10030	300	3982	441	78		
LVMC14005	144 (1407)	50	1005	195	52	
LVMC14010		100	2011	245	65	
LVMC14015		150	3016	309	83	
LVMC14020		200	4021	359	96	
LVMC14025		250	5027	415	111	
LVMC14030	300	6032	465	125		
LVMC22015	224 (2192)	150	4712	328	134	
LVMC22030		300	9425	488	201	
LVMC31015	310 (3037)	150	6506	351	197	
LVMC31030		300	13012	511	289	
LVMC41015	409 (4008)	150	8588	370	274	
LVMC41030		300	17177	530	395	
LVMC52015	522 (5114)	150	10959	395	378	
LVMC52030		300	21918	555	535	
LVMC61005	611 (5987)	50	4276	311	347	
LVMC61015		150	12829	421	472	
LVMC61030		300	25659	581	654	
LVMC83005	831 (8149)	50	5821	348	537	
LVMC83015		150	17462	458	709	
LVMC83030		300	34925	618	959	
LVMC110005	1085 (10644)	50	7603	392	772	
LVMC110015		150	22808	502	991	
LVMC110030		300	45616	673	1332	



Tilting saddles on request!

Connection thread: 3/8" NPT



BAHCO GmbH & Co.KG

Martener Hellweg 60

DE- 44379 Dortmund

Phone

+49 231/91 72 11-0

Fax

+49 231/91 72 11-22

www.bahco.de

info@bahco.de

Dimensions

Modell	Kapazität	Leistung	Hub- länge	Kolb.- fläche	Ölvolumen	Gewicht	A	D	E	F	H	J	K	L
	Tn	kN	mm	cm ²	cm ³	kg	mm	mm	mm	Tr 95x4	mm	mm	mm	mm
LVML05005	51	496	50	70,8	355	11	125	125	95	Tr 95x4	20	21	6	92
LVML09004	95	929	45	132,7	597	22	137	165	130	Tr 130x6	23	31	8	126
LVML14004	144	1.407	45	201,1	905	39	148	205	160	Tr 160x6	28	38	9	148
LVML22004	224	2.199	45	314,2	1.413	62	155	255	200	Tr 200x6	32	40	10	157
LVML31004	310	3.036	45	433,7	1.952	97	173	310	235	Tr 235x6	44	45	11	215
LVML41004	409	4.008	45	572,6	2.577	130	180	350	270	Tr 270x6	44	50	10	260
LVML52004	522	5.114	45	730,6	3.388	184	195	400	305	Tr 305x6	50	60	10	295

Other sizes on request!