

# 700 BAR

**BAHCO**  
DORTMUND



**HYDRAULIC HOLLOW PISTON  
CYLINDER • SERIES SH**

***SINGLE ACTING WITH SPRING RETURN***

# BAHCO

- Hollow piston cylinders with a capacity of 12 up to 100 t and a stroke of up to 150 mm
- Designed for push and pull applications
- Tightening of cables, rods, bolts, etc.  
Pulling off sleeves, bearings, etc.
- Hard chrome plated hollow piston

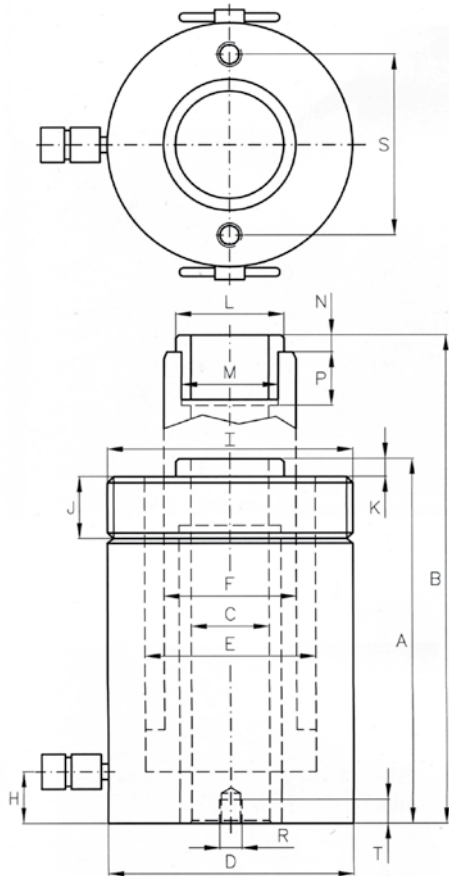
**Dimensions**

Model	Capacity		Stroke mm	Oil volume cm <sup>3</sup>	A mm	B mm	C mm	D mm	E mm	F mm	H mm
	Tn	kN									
SH01204	12	121	40	70	124	164	20,5	75	55	40	19
SH01208			76	134	176	252	20,5	75	55	40	19
SH01215			150	264	300	450	20,5	75	55	40	19
SH02205	22	217	50	158	165	215	27	105	75	56	23
SH02208			76	240	203	279	27	105	75	56	23
SH02215			150	474	318	468	27	105	75	56	23
SH03006	30	302	64	281	197	261	34	120	90	68	27
SH03015			150	660	322	472	33	120	90	68	27
SH06008	60	578	76	640	223	299	56	160	125	95	25
SH06015			153	1.288	315	468	56	160	125	95	25
SH10008	80	1.018	80	1.187	282	362	81	213	170	130	30
SH10015	100		150	2.225	367	517	81	213	170	130	30

**Dimensions**

Model	I	J	K	L	M	N	P	R	S	T	Area	Weight
	UN	mm	mm	mm	UN	mm	mm	UN	mm	mm	cm <sup>2</sup>	kg
SH01204	2 3/4"-16	30	3	34	M28x1,5	7	18	5/16"-18	51	12	18	3,4
SH01208	2 3/4"-16	30	3	34	M28x1,5	7	18	5/16"-18	51	12	18	4,6
SH01215	2 3/4"-16	30	3	34	M28x1,5	7	18	5/16"-18	51	12	18	7,6
SH02205	3 7/8"-12	38	3	48	1 9/16"-16	8	20	3/8"-16	83	15	32	8,6
SH02208	3 7/8"-12	38	3	48	2 9/16"-16	8	20	3/8"-16	83	15	32	11,5
SH02215	3 7/8"-12	38	3	48	1 9/16"-16	8	20	3/8"-16	83	15	32	16,4
SH03006	4 1/2"-12	42	4	55	1 13/16"-16	9	22	3/8"-16	92	17	44	13,2
SH03015	4 1/2"-12	42	4	55	1 13/16"-16	9	22	3/8"-16	92	17	44	18,5
SH06008	6 1/4"-12	48	4	80	2 3/4"-16	12	22	1/2"-13	130	14	84	29,0
SH06015	6 1/4"-12	48	4	80	2 3/4"-16	12	22	1/2"-13	130	14	84	38,0
SH10008	8 3/8"-12	60	5	116	4"-16	13	25	5/8"-11	178	19	148	58,0
SH10015	8 3/8"-12	60	5	116	4"-16	13	25	5/8"-11	178	19	148	79,0

Technical drawing



**BAHCO**  
DORTMUND

**BAHCO GmbH & Co.KG**

Martener Hellweg 60

DE- 44379 Dortmund

**Phone**

+49 231/91 72 11-0

**Fax**

+49 231/91 72 11-22

[www.bahco.de](http://www.bahco.de)

[info@bahco.de](mailto:info@bahco.de)

**BAHCO**

All information subject to change without further notice.  
No responsibility is taken for the correctness of the named specifications.